

AQA[®] USA 2024

2023 Stainless Steel Collection



Stainless Steel modern, clean, versatile, suitable for any location

Water features, Showers, Drains, Water Cannons and more !

Available 316L Stainless Steel polished and optional Powder Coated

AQA[®] USA

www.AQAPool.es

mcwseg@gmail.com



Deck Mount Waterfall

106-300

height 26 in operates @ 56 GPM

\$ 3,395

106-500

height 28 in operates @ 72 GPM

\$ 3,970



back mount 2 in

Wall Mount Waterfall

112-300

12 in wide operates @ 29 GPM

\$ 2,415

112-500

20 in wide operates @ 44 GPM

\$ 3,187

Wall Mount Sheer Waterfall



1050-500 Scupper 20 in wide 2 in \$ 1,600

1050-1000 Scupper 40 in wide 2 in \$ 2,000

Other sizes available on request, bottom mount or back mount



Deck Mount Waterfall

Open or closed spillway
(shown open spillway)

1110-300 Open or Closed Spillway Waterfall \$ 3,275
height 28 in x 19 in x 19 in operates @ 45 GPM

1110-500 Open or Closed Spillway Waterfall \$ 3,988
height 28 in x 19 in x 19 in operates @ 65 GPM



110 Water Cannon interchangeable nozzle **\$2,495**
height 49 in x 2 in dia. operates @ 68 GPM approx.



109 Water Cannon interchangeable nozzle **\$2,875**
height 37 in x 2 in dia. operates @ 68 GPM approx.

You pick - ONE standard changeable nozzle tip - included



E



F



G



H

add per tip
\$460 each



95 Deck Mount Residential or Commercial Shower \$3,100

head and handheld foot / body spray heads, single handle hot or cold mixer valve



91-10 Shower \$ 2,700



93-16 Shower \$ 2,875



Solar Heated

900S Shower \$ 3,790



Solar Heated

201SL Shower \$ 4,100



94B-N
Bamboo Shower \$ 1,900
4 in dia. X 88 in bamboo / SS



99 Shower \$ 3,963
LED light strip down each side,
head shower only
6 in sq post X 84 in



12 Shower
head and foot shower **\$ 2,775**
Polished stainless steel 3 in post



98 Shower
head shower **\$ 2,597**
Stainless steel 2.25 in post

All showers you choose your shower head



Shower head #10



Shower head #8



Shower head #4



Shower head #1

Additional shower available, standard or custom - tell us what you need !!



All showers made from 316L Stainless Steel, surface mount or optional (#86PA shown above) paver deck mounting anchor with stainless steel hardware

Commercial Pool Deck SS Series



86D-10

Commercial Shower \$ 3,870

ADA compliant

**Pool Deck Mount w/ anchor
head and foot 88 in ht
316L polished SS**

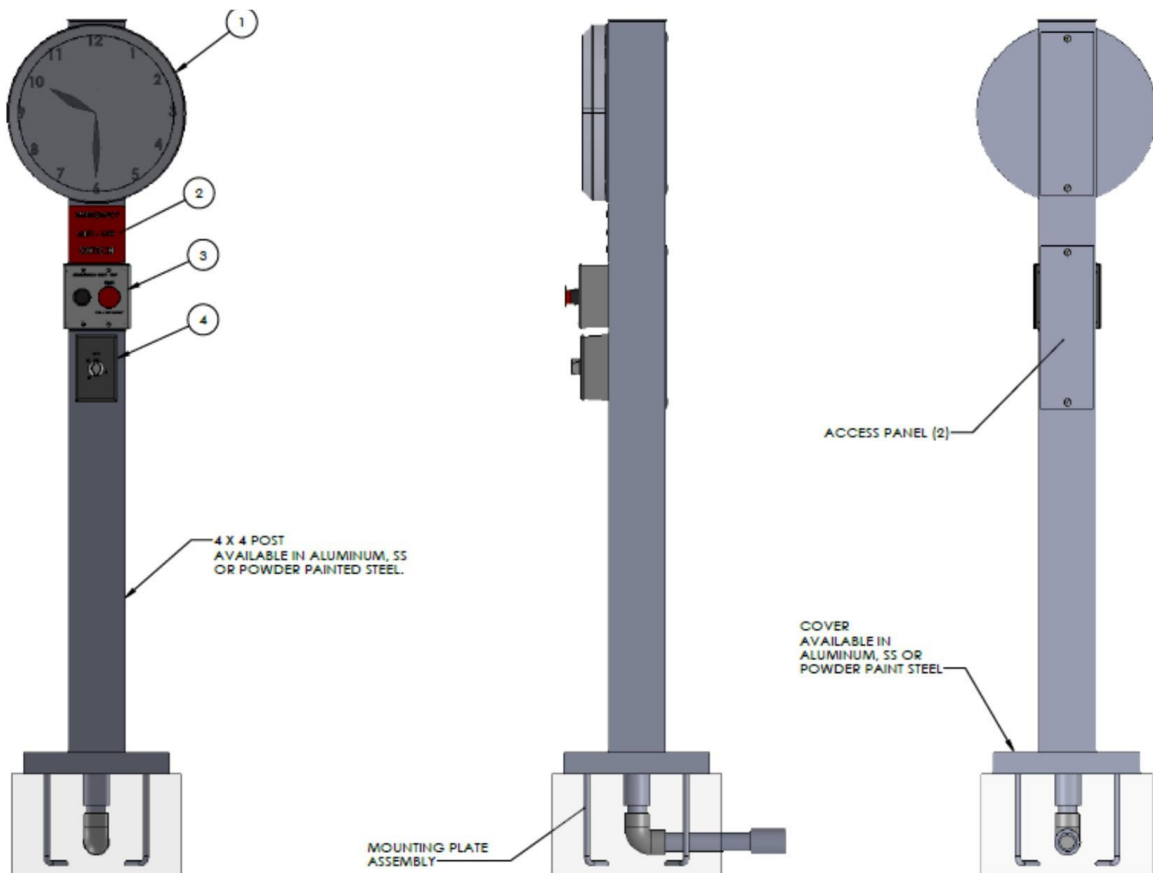
86S-T Handel hose bibb \$ 365

86PA Pool deck anchor \$ 299

Note - Wall Mount are built to order
shop drawing available;

email for shop drawing mcwseg@gmail.com

Commercial DOH approved Emergency Alarm-Timer Post



Stocked 304SS 5 in square post approx. Brushed finish or Powder coated **add \$150** White, Green, Tan and add lead time 10 working days

EACTP	Emergency /Alarm-Clock-Timer Post	Surface mount	\$ 3,350
EACTW	Emergency /Alarm-Clock-Timer Post	NEW Wall mount	\$ 3,950
EACPC	120v or 230V UL power center		\$ 1,400

Note - Wall Mount are built to order/ shop drawing available
email: mcwseg@gmail.com

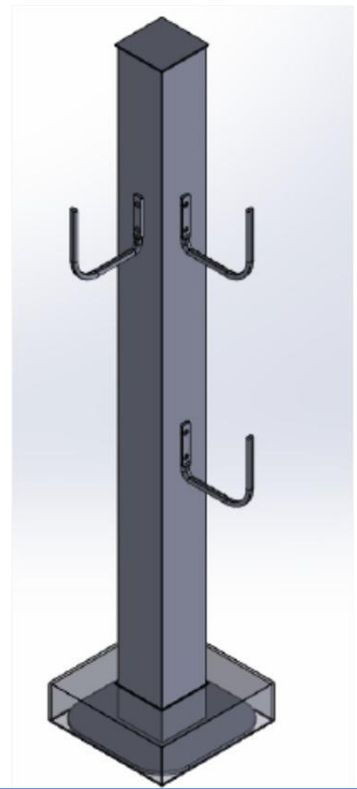
Commercial DOH approved

Commercial DOH approved

Pool Deck Safety Equipment Post **\$1,975** each post

SEPS 304 SS post approx. 4 in square x 54 in ht. with deck anchor

Stocked 304SS brushed finish or we can powder coated White, Green add **\$150** for powder coating & lead time add 10 working days





Contact us for additional quality stainless steel water features or review at www.AQAPOOL.ES

AQA 316L stainless steel product offering,
NOT all items are in stock !!

Lead time can be - for non stocked product approx.
4-6 weeks

For Design and Tech support email mcwseg@gmail.com

813-431-7063

office email mcwseg@gmail.com

AQA® **USA**

aquaticparts LLC
Granbury, Texas 76048
Miami and Apopka, Florida

FEG

Established 1998

Fountain Equipment Group

FountainEquipmentGroup.com